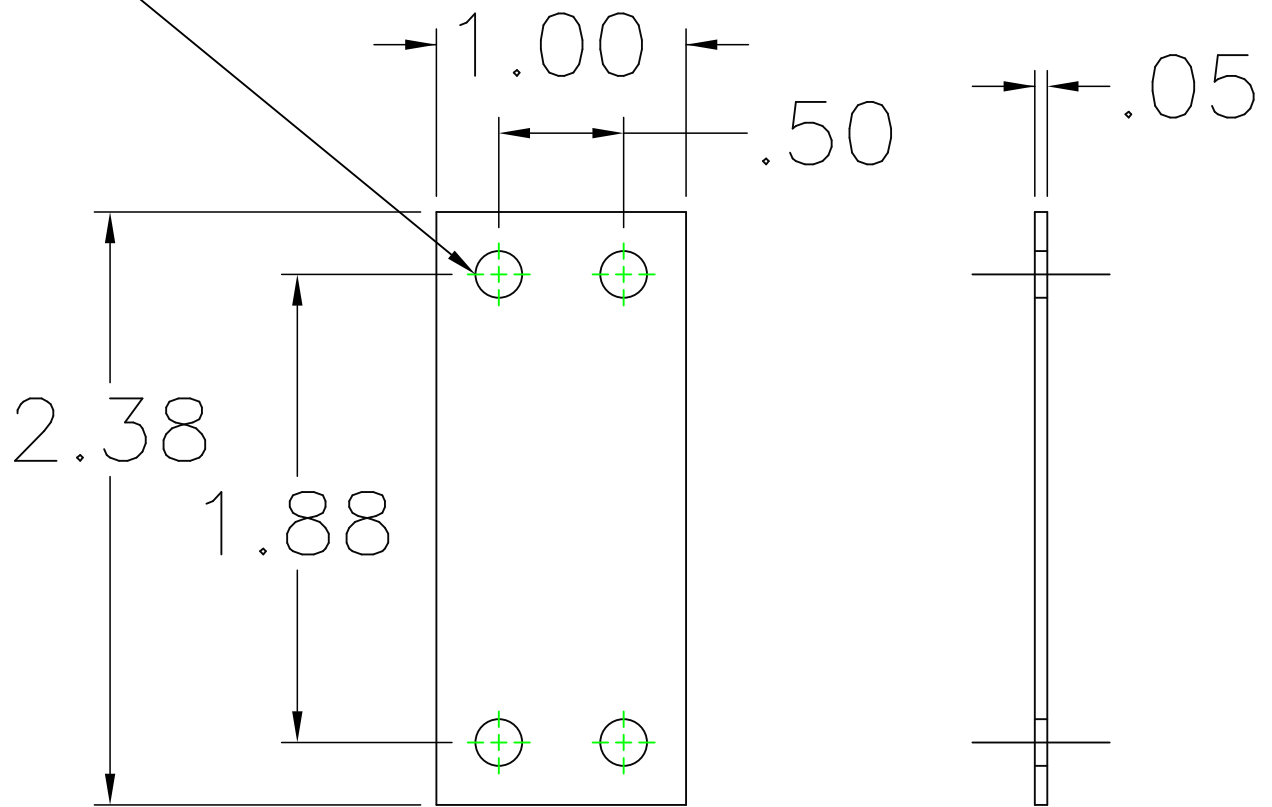


3/16 (.187) DR THRU (4) PLCS



MICRO INLINE .050 SPRING
005001510
C.R.S.